

Getaway Trail

Purpose Built Trailers For The Outdoor Enthusiast



The Getaway Trail is the perfect compact trailer ready for big adventures with or without a roof-top-tent. It is rugged and versatile with all the amenities including the slide out Baltic Birch kitchen, 21gal water tank, stainless steel sink with running faucets and a 2 burner stove. A gas assisted lift lid allows you to access the storage compartment. Starting with a dry weight of 1,300lbs this trailer can be easily towed behind most small SUVs while also being a great fit for trail rigs requiring plenty of ground clearance

The wide range of customizable options and modular add-ons further enhance the amenities and capabilities for owner needs.

Hand-crafted in Phoenix, Arizona by fellow outdoor enthusiasts with a passion for quality ensures this model can handle the challenges of the trail while bringing the comforts of home.



Standard Features

- Steel Frame
- 3500lb Rubber Torsion Axles
- Steel Wheels & Off-Road Tires
- Electric Brakes
- 20" Tall 11 Gauge Steel Camper Box
- Gas Strut Assisted Tent Platform
- Classic Style Turtleback Nose Box
- 50+ Cubic Feet Of Storage

Kitchen

- Baltic Birch Slide Out Kitchen
- Solid Maple Countertop
- Large Utensil Drawer
- 2 Burner Atwood Stove & S/Steel Sink
- 11lb Propane Tank with S/steel Bracket

Water

- 21 Gal Food Grade Water Tank
- 12V On-Demand Water Pump

Options

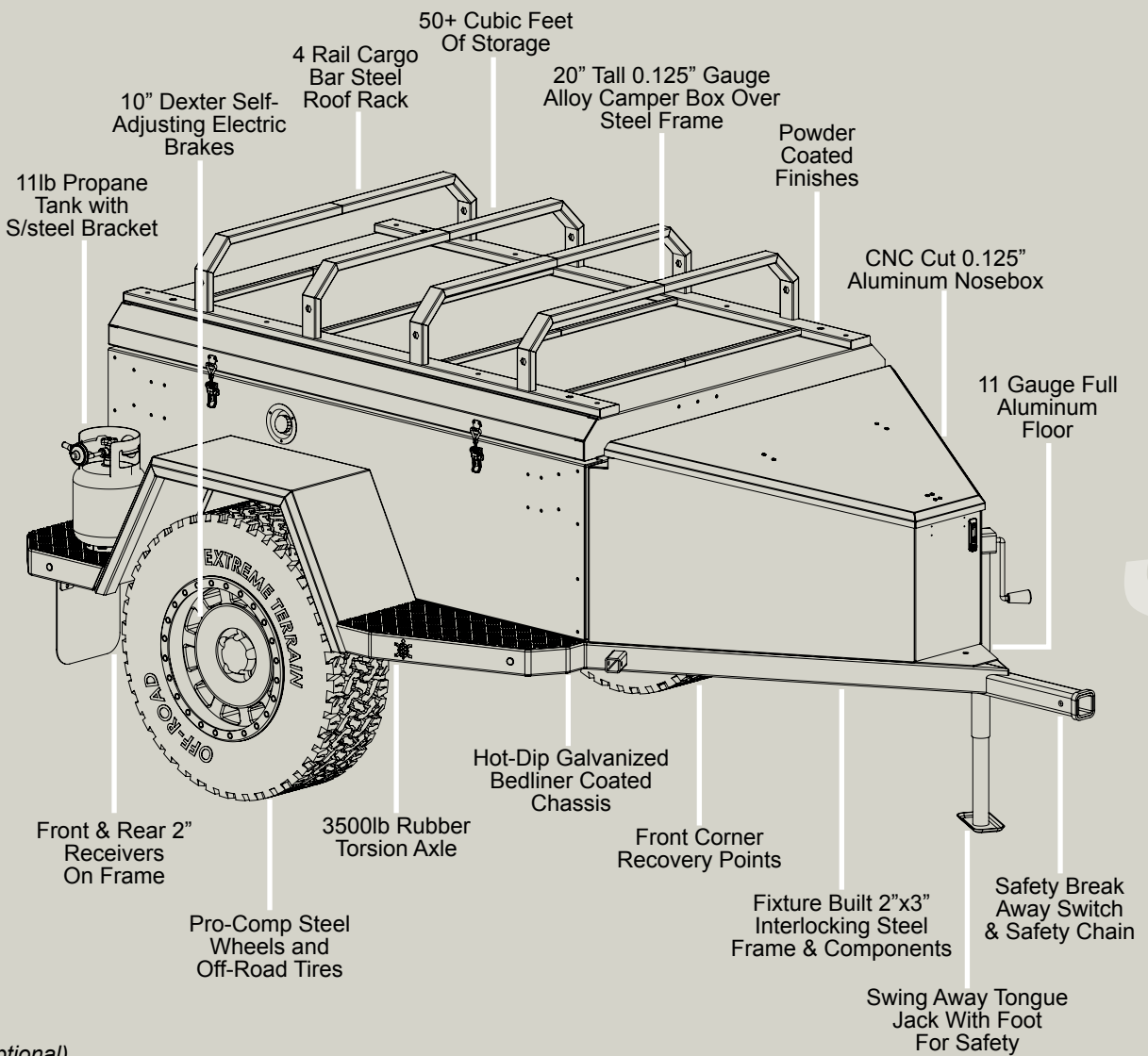
- Solar Systems
- Inverters
- Partner Steel 2 Burner Stove
- Deep Dometic Sink
- Refrigerators
- Storage/Fridge Slide Mounts
- Suspension
- Composite Cabinetry
- Color Matching
- Tents & Awnings
- Tire & Wheel Upgrades



*Images in this brochure show trailers fitted with additional options

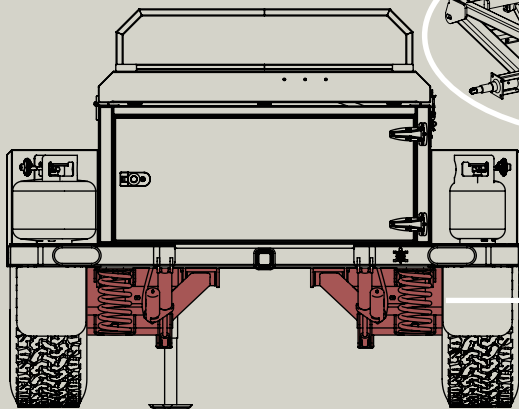
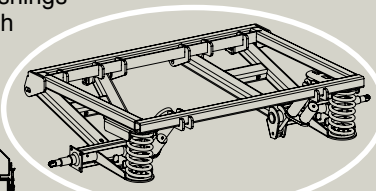
Trailer Specifications

- Overall Dimensions: 55" H x 74.25" W x 130" L
- Dry Weight: 1,300lbs
- Main Storage Box: 6' X 4' X 20"
- Ground Clearance: 15"



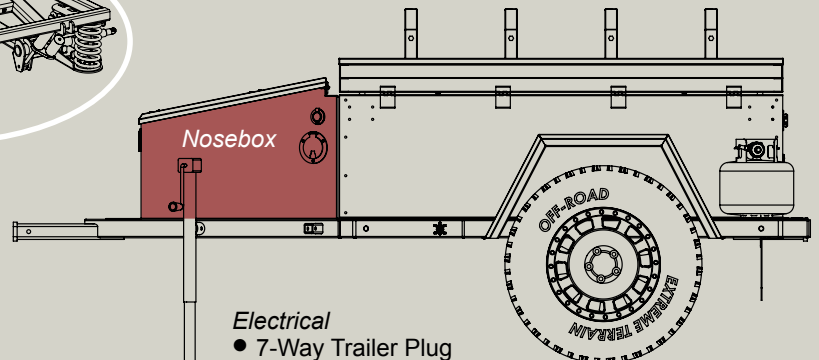
Suspension (Optional)

- Unique Off-Road Camper Trailer Suspension Technology
- Custom Icon Vehicle Dynamics Remote Reservoir Shocks
- Hypercoil Custom Wound Dual Rate Progressive Springs
- Rear Spring Placement Technology Creating A Stable Platform
- Custom Daystar Kevlar Pivot Bushings
- Safe, Serviceable, Simple & Stylish



Tailgate

- Spare Tire Mount & Idler Hub With Bearings
- Rotopax Fuel System Mount Plate



Electrical

- 7-Way Trailer Plug
- GXL 125°C Auto Wiring
- Blue Sea Battery Disconnect/Breaker
- LED Interior & Exterior Lighting
- Blue Sea 4 Circuit Switch/Breaker Panel
- DEKA Deep Cycle Marine AGM Battery 79AH
- Solar Panel Controller With Battery Monitor
- On-Board Multi-Stage Battery Charger
- 12V Socket and Dual USB Charge Ports
- Weather Proof Ext. Port for SAE Solar Panel Connection
- Voltage Meter

*Images show trailers fitted with additional options